

PFREUNDT - WK60 Series

Weighing system with Touch-Display



New:
WK60-XS



Precise
and fast



Compact
and robust



More individuality with
additional features



Intuitive operator
interface



Easy.

- Easy to install
- Maintenance-free
- Easy data exchange

Better.

- Qualified on-site service
- In-Service inspection
(prev. initial approval) by PFREUNDT
(antérieurement vérification initiale)

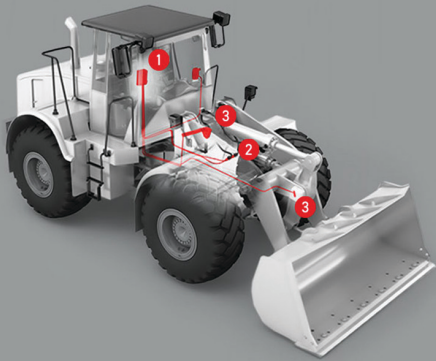
Weighing.

- Dynamic weighing while loading
- Precise and fast
- Individual evaluation functions

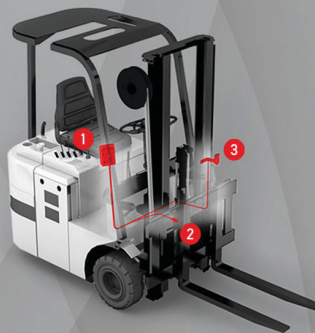
PFREUNDT WK60 Series

Weighing system with Touch-Display

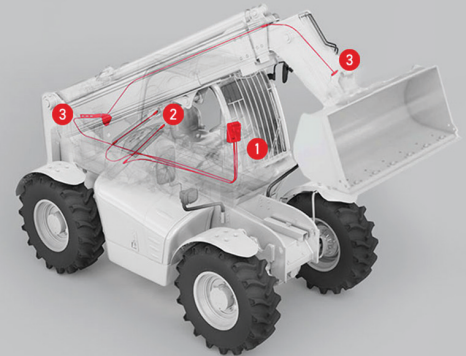
Wheel loader
Win with every pass!



Forklift
Efficiency through control



Telescopic handler
Versatile and accurate!



Overview of the system



1

Weighing electronics

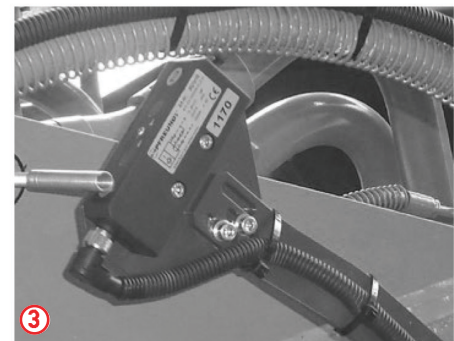
- Proven systems for long-term use
- Intuitive operation
- Connection to the PFREUNDT Web Portal



2

Digital Pressure sensors

- Oil pressure sensor with overload protection
- Integrated temperature control
- Easy-to-assemble screw connections



3

Proximity Switches

- For dynamic weighing during operation
- Reliable definition of the weighing range
- Simple assembly

PFREUNDT WK60 Series

Everything under control: Data. Costs. Time.

With PFREUNDT scales you always know how much material is being moved – this saves time, lowers costs and improves operations.

Maximum flexibility thanks to a large number of different features for special requirements and operating sequences, which are optionally available as required and can also be subsequently added.



Legal for trade, class
Calibration data memory
Dynamic weighing
Alternative measurement principle: Speed Weigh Technology Static weighing
Display Size
Operation
Additional attachments / Not legal for trade (expandable)
Number master data (expandable)
Bucket weighing data (expandable)
User administration / number (expandable)
Printer connection (expandable)
WLAN only for Web Portal */**
Target weight
Template master data types and weighing data
Total counter
USB connection
Relay plus hardware (from 01.01.2018)
Serial protocol (from 01.01.2018)
Summary document
Renaming of master data types
Cash sales
Weighing data statistics
Extension receipt number / prefixes
Linking of master data types
Order management only through Web Portal */**
GPRS only for Web Portal */**
Further data exchange / RFID

WK60-XS	WK60-S	WK60
-	Y(b)	Y(b)
-	✓	✓
✓	✓	✓
{✓}	{✓}	{✓}
Color 5"	Color 7"	Color 7"
Touch	Touch	Touch
2 (5)	5	5
10 (300)	500 (10.000)	10.000
10.000 (100.000)	100.000	100.000
2 (5)	5 (free)	free
pPrinter (Printer selection)	pPrinter (Printer selection)	pPrinter + Printer selection
✓	✓	✓
✓	✓	✓
✓	✓	✓
✓	✓	✓
✓	✓	✓
{✓}	✓	✓
{✓}	{✓}	✓
{✓}	✓	✓
{✓}	✓	✓
{✓}	✓	✓
{✓}	{✓}	✓
-	{✓}	✓
-	{✓}	✓
-	{✓}	✓
-	{✓}	✓

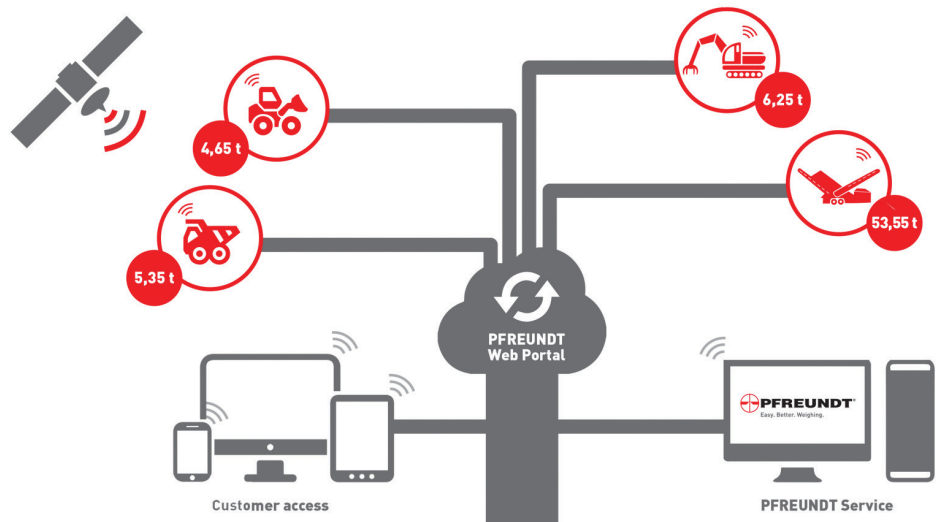
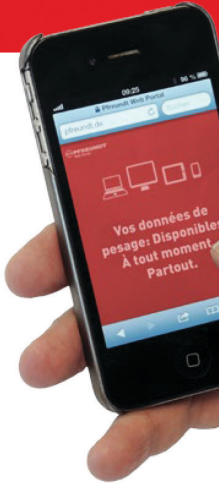
* additional costs for Web Portal ** SIM card required: additional costs for SIM card ✓ standard {✓} optional — not available

PFREUNDT - WEB PORTAL

Your weighing data: Accessible. Any time. Anywhere.

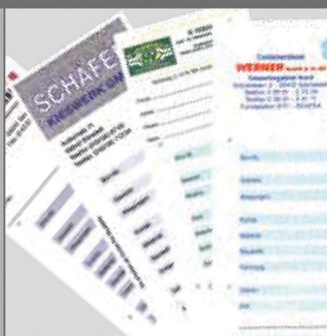
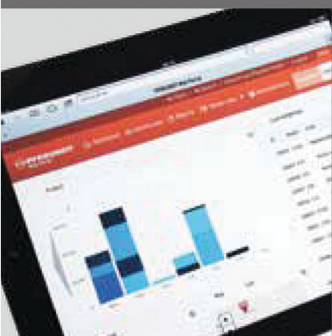
Your advantages at a glance:

- Maximum accessibility to your data via the Internet
- The highest level of security through encrypted data exchange
- High level of data security using modern server technology in certified computer centers
- Individual evaluation functions
- Modern interfaces for use on your own system
- Immediately accessible
- Software as a Service - no software installation, no updates, no internal maintenance necessary
- High level of flexibility - modifiable according to customer demands



Accessories overview:

PFREUNDT Web Portal - Printer - Weighing tickets - Weighing tickets box - Antenna



The strength of a network! 